

**UKINOX SPECIFICATIONS**

**MODEL RS558**

UNDERMOUNT TYPE

**GENERAL**

Fine quality sink bowl formed of 18 gauge  
Type 304 18/10 nickel bearing stainless steel

**DESIGN FEATURES**

- Bowl Depth: 10" deep
- Coved Corners: Approximately 5/8"
- Finish: Soft Satin Finish
- Underside: Sound absorbing pads and special paint applied to dampen sound
- Drain Openings: 3-1/2"

Sinks include all basket strainers, mounting hardware and template.

**PROTECT YOUR SINK!** Grids prolong the life of your sink's finish.

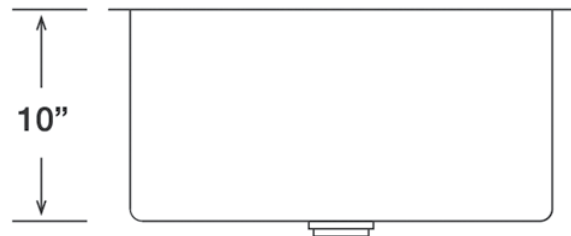
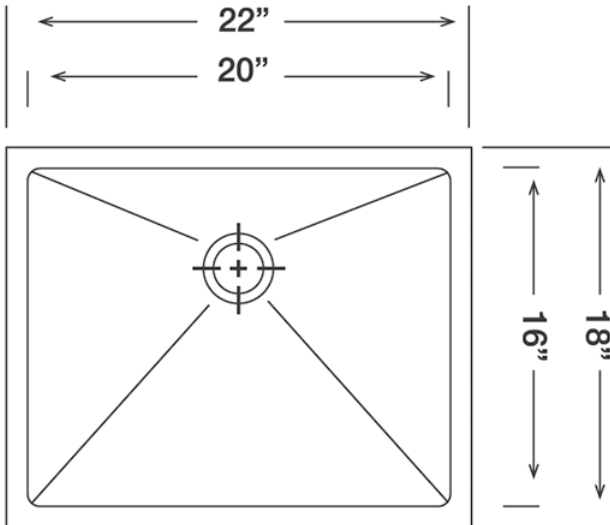


RS558

**OPTIONAL ACCESSORIES**

- GRS558SS Stainless Steel Bottom Grid
- CB390HW Hardwood Cutting Board

**SINK DIMENSIONS (INCHES)**



<b>Minimum Cabinet Size</b>	<b>22"</b>
<b>Ship Weight</b>	<b>15 Lbs</b>

**Installer Notes:** Ukinox always recommends that you give the sink to the granite fabricator. If you are going to use a cutting board, provide that to the fabricator as well. Please note that we do include a template with each sink, but there can always be a slight variation. In addition, many of our templates are perforated so you can tear off the perforation for cutting board applications.



\*Template and countertop mounting clips are packed with every sink

Ukinox reserves the right to change product specifications without notice.